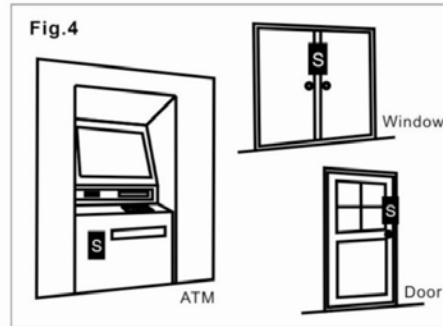
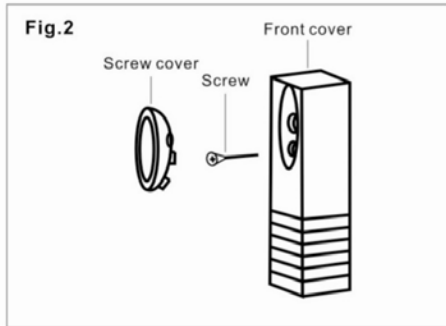
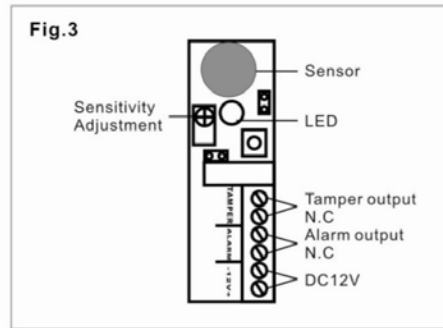
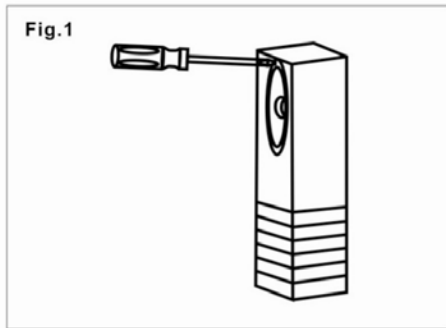




### Installation Instructions



**ROISCOK**  
ROISCOK ELECTRONICS LTD.

specifications are subject to change without prior notice.

ROISCOK Electronics Ltd.

#### Preliminary Considerations

The ROISCOK's RV971A Digital Vibratory Detector Use the International Advanced Photoelectric Sensor Elements with CPU Processing Technology to Ensure the Rigorous Monitoring for the Protective Coverage. Adjustable Detective Sensitivity in order to Balance Point Correctly. It is Applicable to Automatic Teller Machine (ATM) and wall and Glass and Strongbox etc. And Prevent Any Action of Knock and Destruction.

#### Installations

Open the cover (fig.1). Retain the cover and loosen the screw (fig.2). Remove the main front cover carefully and avoid dropping the crew. Punch out Knockout at the bottom or the side of the detector (fig.3) and Remove knockout for cable entry. Attach base to a correct position. And feed the cable into the detector(fig.4).

#### Sensitivity Settings

Adjust the sensitivity to the correct point.

#### Test

Replace front cover  
Apply power and wait until stabilized (>2 minutes)  
Do necessary test and observe LED, confirm sensitivity to the correct point.  
Tighten the holding screw to secure the PC Board.

#### Specifications

Operating Voltage: 9 to 16VDC  
Current: 11mA at 12 Volts  
Alarm Contracts: 0.1amps, 24 Volts, NC  
Tamper Contacts: 0.1amps, 24 Volts, NC  
Alarm Time: 2.2s min  
Warm time: <2 minutes  
Operating Temperature: -20°C to 50°C  
Storage Temperature: -20°C to 60°C  
Mounting Fashion: surface  
Size: 85×26×25mm

#### Terminal Connections

Wire the cable to the terminal block at the bottom of the detector:  
12VDC: Power supply inputs

Alarm: N.C dry contacts  
Tamper: N,C dry contacts

#### ROISCOK WARRANTY

ROISCOK Electronics Ltd. and its Subsidiaries and Affiliates ("Seller") warrants its products to be free from defects in materials and workmanship under normal use for 18 months from the date of production. Because Seller does not install or connect the product and because the product may be used in conjunction with products not manufactured by Seller, seller cannot guarantee the performance of security system which uses this products. Seller's obligation and liability under this warranty is expressly limited to repairing or replacing, at Sellers option, within a reasonable time after the date of delivery, any product not meeting the specifications.

Seller makes no other warranty, expressed or implied, and makes no warranty of merchantability or of fitness for any particular purpose. In no case shall seller be liable for any consequential or incidental damages for breach of this or any other warranty, expressed or implied, or upon any other basis of liability what so ever.

Seller's obligation under this warranty shall not include any transportation charges, or costs of installation or any liability for direct, indirect or consequential or delay.

Seller does not represent that its products may not be compromised or circumvented that the product will prevent any persona, injury or property loss by burglary, robbery, fire or otherwise; or that the product will in all cases provide adequate warning or protection. Buyer understands that a properly installed and maintained alarm may only reduce the risk of burglary, robbery, fire without warning, but it is not insurance or a guarantee that such will not occur or that there will be no personal injury or property loss as a result.

Consequently, Seller shall have no liability for any personal injury, prooerty damage or loss based on a claim that the product fails to give warning. However, if seller is held liable, whether directly or indirectly, for any loss or damage arising under this limited warranty or otherwise, regardless of cause of origin, sellers maximum liability shall not exceed the purchase price of the product, which shall be the complete and exclusive remedy against seller.

No employee or representative of Seller is authorized to change this warranty in any way or grant any other warranty. All products should be test at least once a week.